

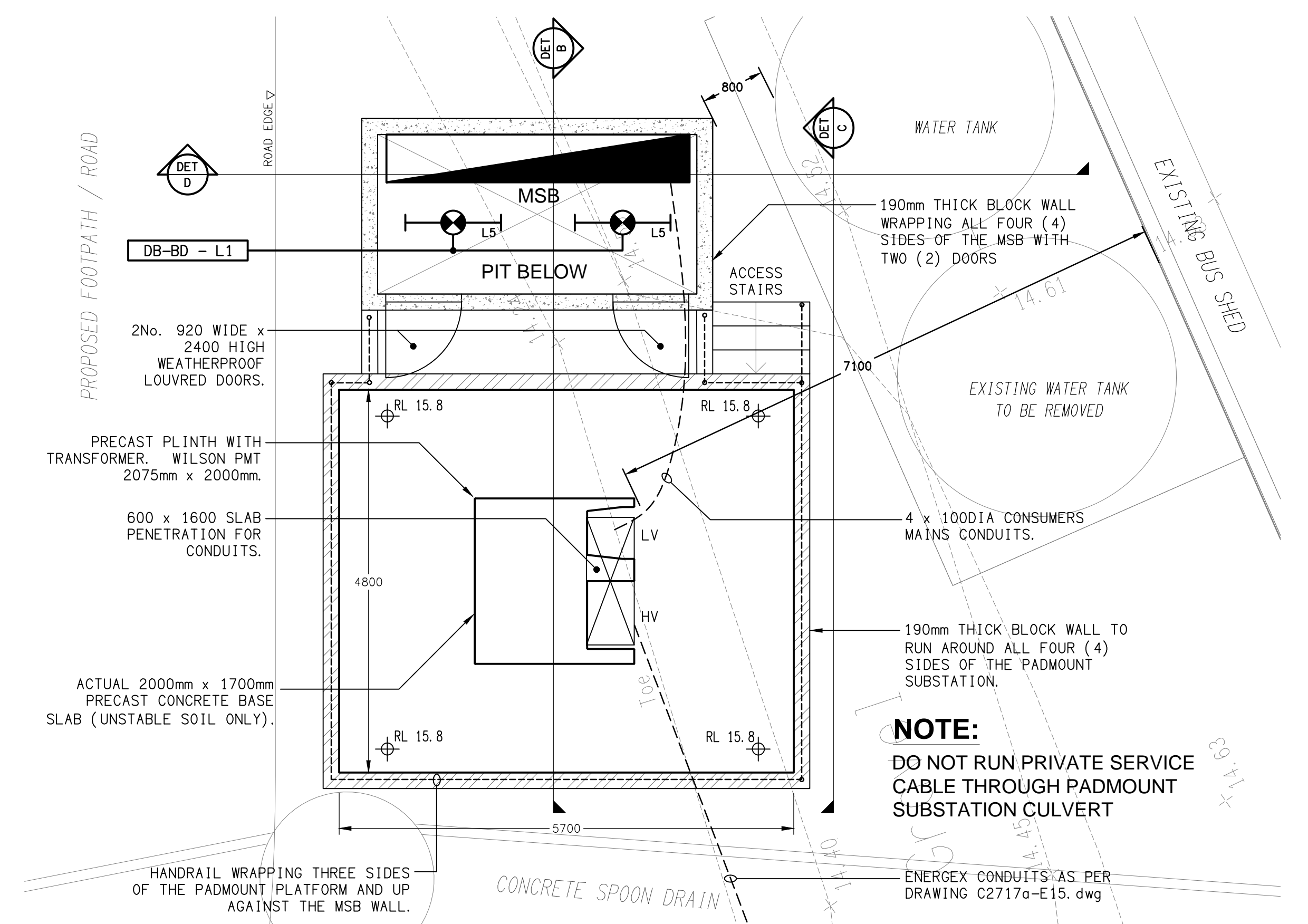
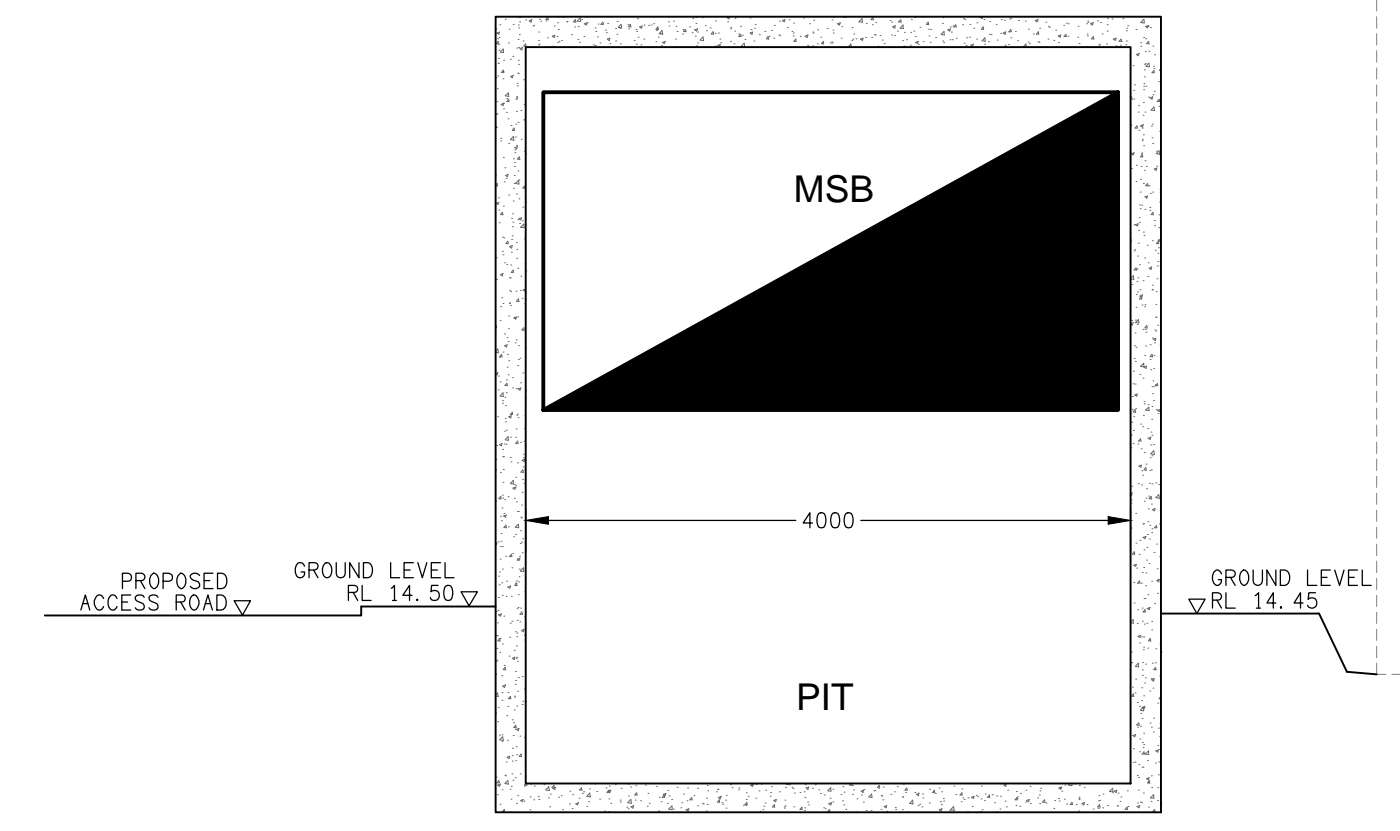
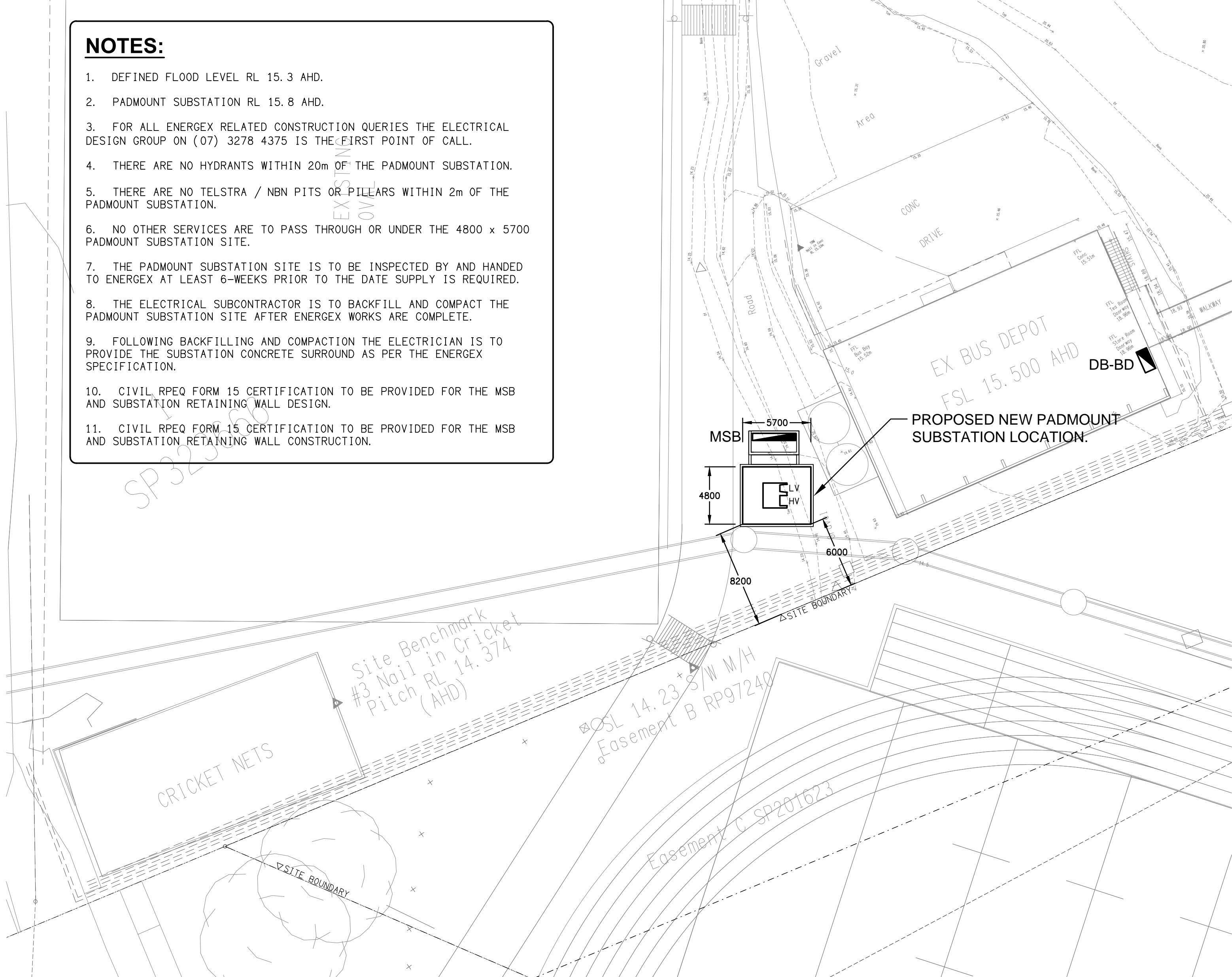
NOTES:

1. DEFINED FLOOD LEVEL RL 15.3 AHD.
2. PADMOUNT SUBSTATION RL 15.8 AHD.
3. FOR ALL ENERGEX RELATED CONSTRUCTION QUERIES THE ELECTRICAL DESIGN GROUP ON (07) 3278 4375 IS THE FIRST POINT OF CALL.
4. THERE ARE NO HYDRANTS WITHIN 20m OF THE PADMOUNT SUBSTATION.
5. THERE ARE NO TELSTRA / NBN PITS OR PILLARS WITHIN 2m OF THE PADMOUNT SUBSTATION.
6. NO OTHER SERVICES ARE TO PASS THROUGH OR UNDER THE 4800 x 5700 PADMOUNT SUBSTATION SITE.
7. THE PADMOUNT SUBSTATION SITE IS TO BE INSPECTED BY AND HANDED TO ENERGEX AT LEAST 6-WEEKS PRIOR TO THE DATE SUPPLY IS REQUIRED.
8. THE ELECTRICAL SUBCONTRACTOR IS TO BACKFILL AND COMPACT THE PADMOUNT SUBSTATION SITE AFTER ENERGEX WORKS ARE COMPLETE.
9. FOLLOWING BACKFILLING AND COMPACTION THE ELECTRICIAN IS TO PROVIDE THE SUBSTATION CONCRETE SURROUND AS PER THE ENERGEX SPECIFICATION.
10. CIVIL RPEQ FORM 15 CERTIFICATION TO BE PROVIDED FOR THE MSB AND SUBSTATION RETAINING WALL DESIGN.
11. CIVIL RPEQ FORM 15 CERTIFICATION TO BE PROVIDED FOR THE MSB AND SUBSTATION RETAINING WALL CONSTRUCTION.

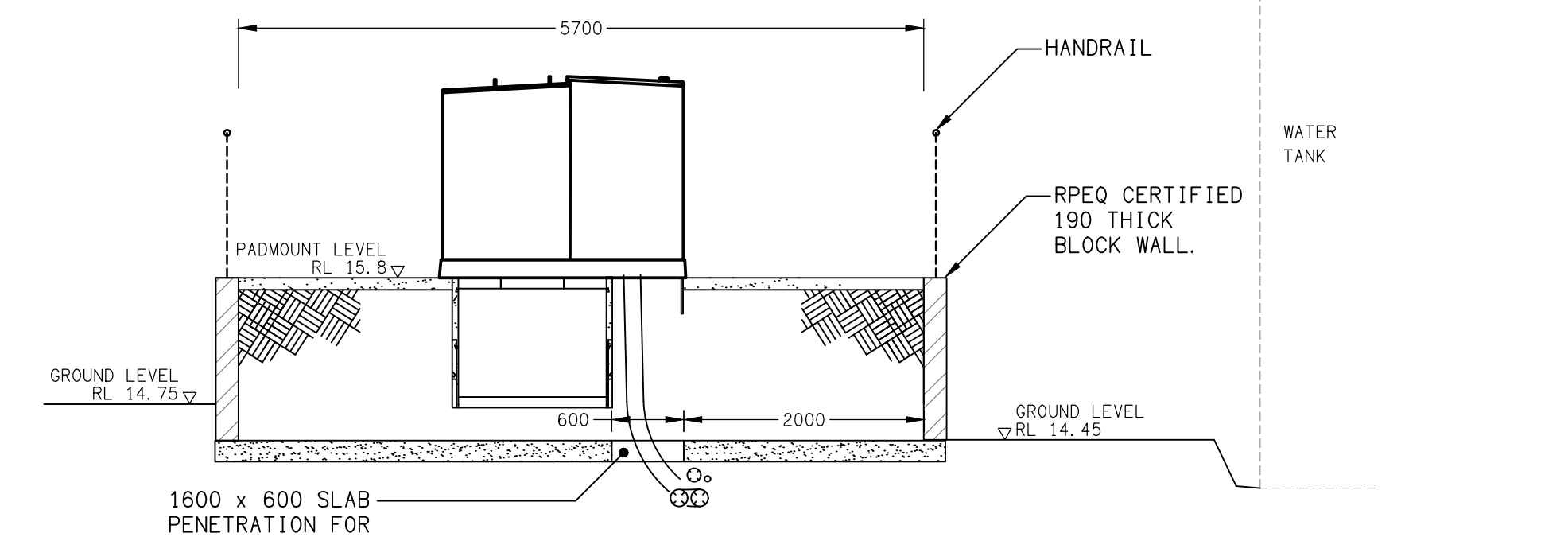
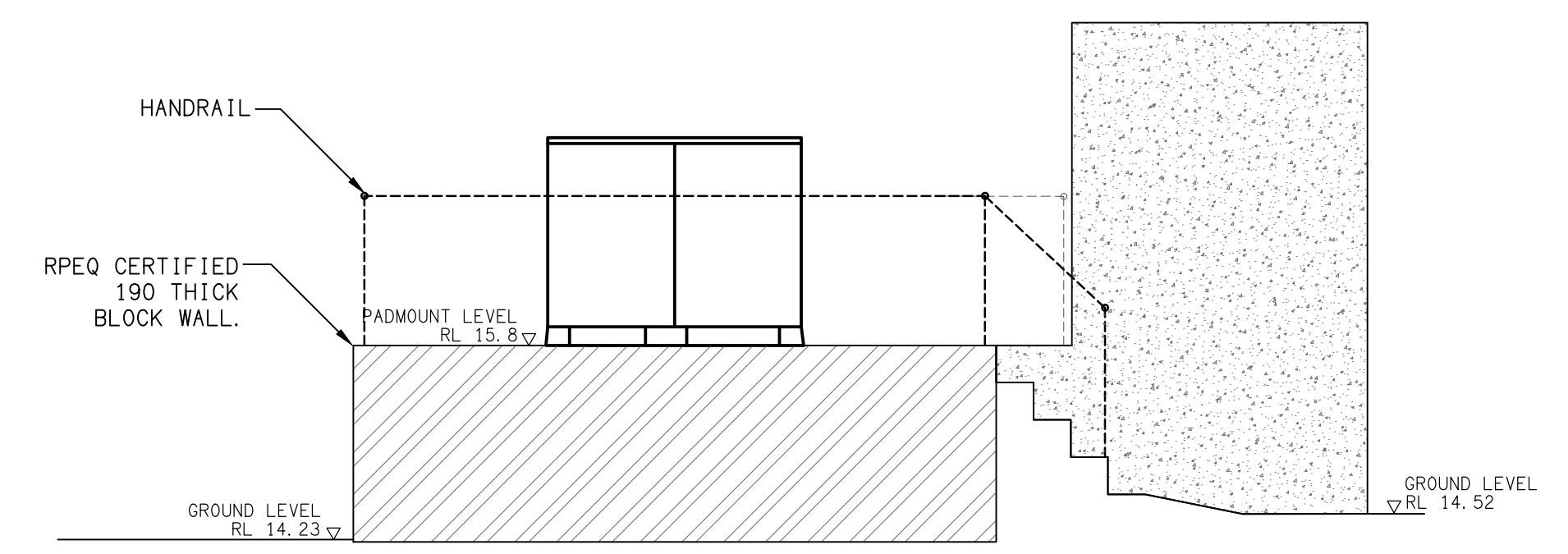
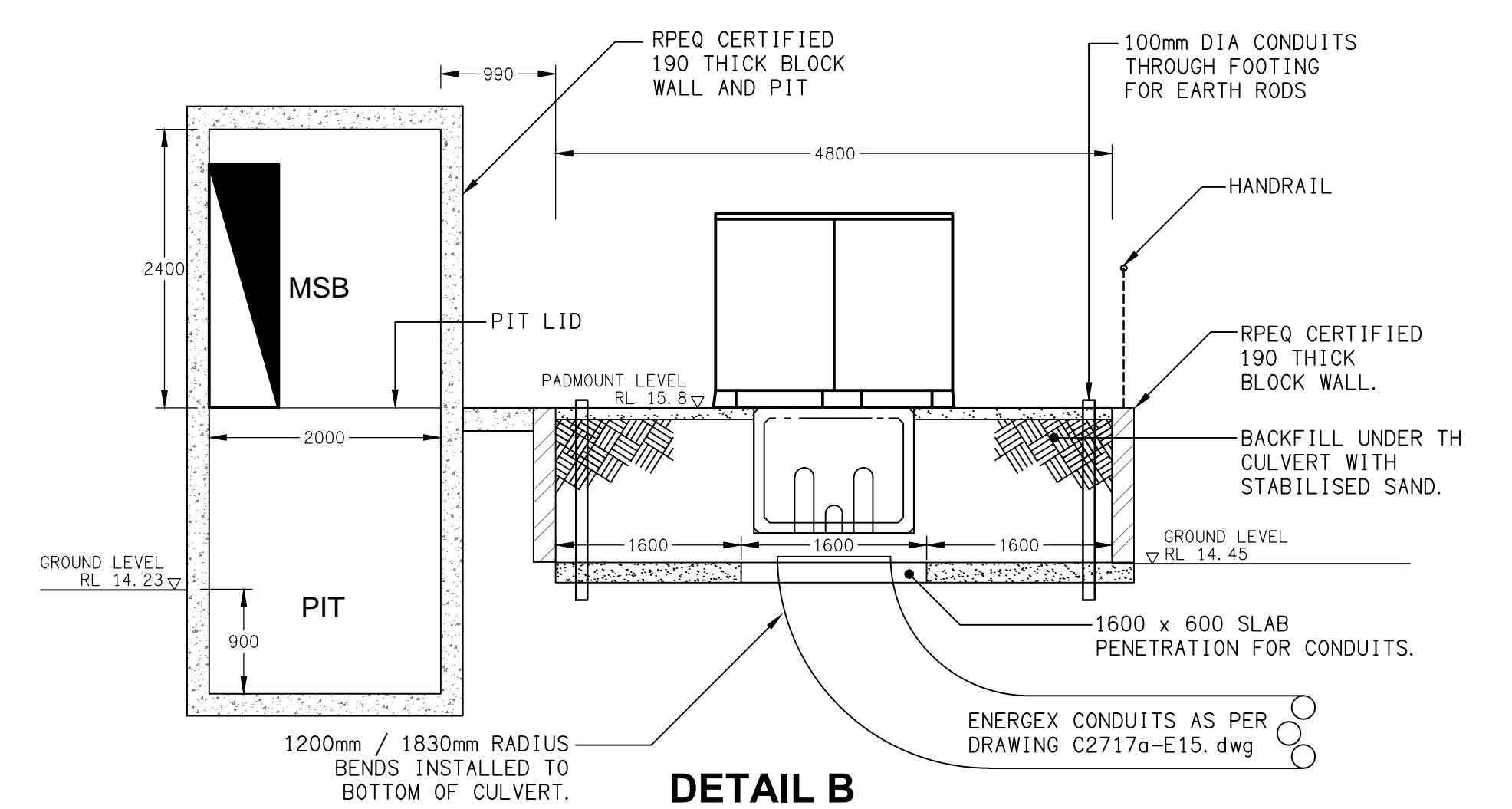


ENERGEX ACCEPTANCE

NAME
 OFFICE
 SIGNED
 DATE / /
 ENERGEX takes no responsibility for



MAIN SWITCH ROOM ADDED AND PIT SIZE INCREASED AT THIS REVISION (D). NOT SHOWN CLOUDED FOR CLARITY.



ELECTRICAL DESIGN GROUP BRISBANE PTY LTD
 ACN 092 710 793
 TRADING AS:
 ELECTRICAL DESIGN GROUP

THE COPYRIGHT OF THIS DRAWING REMAINS THE PROPERTY OF THE ELECTRICAL DESIGN GROUP.
 USE FIGURED DIMENSIONS IN PREFERENCE TO SCALE.
 ALL DIMENSIONS TO BE VERIFIED ONSITE.

CULVERT INSPECTION REQUIRED BEFORE TRANSFORMER IS DELIVERED - 5 BUSINESS DAYS PRIOR NOTICE NEEDED.
 CONTACT: MATTHEW RITCHIE PH: 0409766249 EMAIL: matthewritchie@energex.com.au
 TRANSFORMER WILL NOT BE ENERGISED UNTIL ALL REQUIREMENTS ARE MET.

ELECTRICAL DESIGN GROUP
 ELECTRICAL BUILDING SERVICES CONSULTANTS
 BRISBANE GOLD COAST
 P.O. Box 15, Sherwood Q.4075
 Phone: (07) 3278 4375
 Email: brisbane@edg.net.au
 Web: www.edg.net.au

PROJECT:
KINGS CHRISTIAN COLLEGE - REEDY CREEK GLAs & STUDENT SERVICES KCC49
 68 GEMVALE ROAD, REEDY CREEK, QUEENSLAND

REV: D	CONSTRUCTION	29/11/2024
REV: DESCRIPTION:		DATE:
DRAWING: ELECTRICAL SERVICES ENERGEX PADMOUNT SUBSTATION PLAN		
SCALE: AS NOTED	PROJECT NO: C2717a	DRAWING NO: E16
AT A1		REVISION: D